

Supreme® Wall-Mount Lavatory

FEATURES

- 22-7/8" x 19-5/8"
- SanaGloss® ceramic glaze - prevents debris and mold from sticking to ceramic surfaces, leading to fewer chemicals and less water in cleaning (not avail on Ebony #51.)
- Elegant styling
- Rear overflow
- Vitreous china wall-mount and lavatory combination complete with mounting hardware

MODELS

- LHT241G
Wall-Mount lavatory with single hole with SanaGloss (#01, #03, #11, #12)
- LHT241
Wall-Mount lavatory with single hole without SanaGloss (#51 only)
- LHT241.4G
Wall-Mount lavatory with 4" faucet centers with SanaGloss (#01, #03, #11, #12)
- LHT241.4
Wall-Mount lavatory with 4" faucet centers without SanaGloss (#51 only)
- LHT241.8G
Wall-Mount lavatory with 8" faucet centers with SanaGloss (#01, #03, #11, #12)
- LHT241.8
Wall-Mount lavatory with 8" faucet centers without SanaGloss (#51 only)

Available Components:

- LT241G - Lavatory with single hole with SanaGloss (#01, #03, #11, #12)
- LT241 - Lavatory with single hole without SanaGloss (#51 only)
- LT241.4G - Lavatory with 4" faucet centers with SanaGloss (#01, #03, #11, #12)
- LT241.4 - Lavatory with 4" faucet centers without SanaGloss (#51 only)
- LT241.8G - Lavatory with 8" faucet centers with SanaGloss (#01, #03, #11, #12)
- LT241.8 - Lavatory with 8" faucet centers without SanaGloss (#51 only)
- HT242 - Shroud only

COLORS/FINISHES

- #01 Cotton
- #03 Bone
- #11 Colonial White
- #12 Sedona Beige
- #51 Ebony (not available in SanaGloss)



SanaGloss

Faucet sold separately

CODES/STANDARDS

- Meets and exceeds ASME A112.19.2/CSA B45.1
- Certifications: IAPMO(cUPC), State of Massachusetts, City of Los Angeles, and others
- Code compliance: UPC, IPC, NSPC, NPC Canada, and others



PRODUCT SPECIFICATION

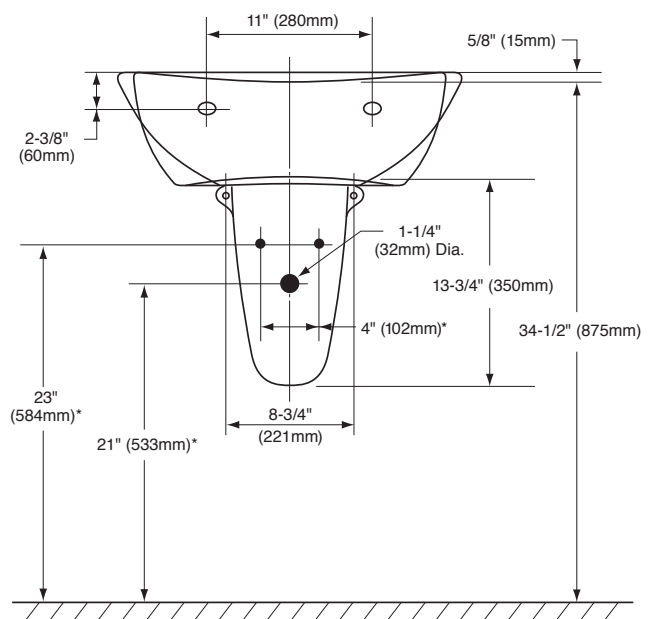
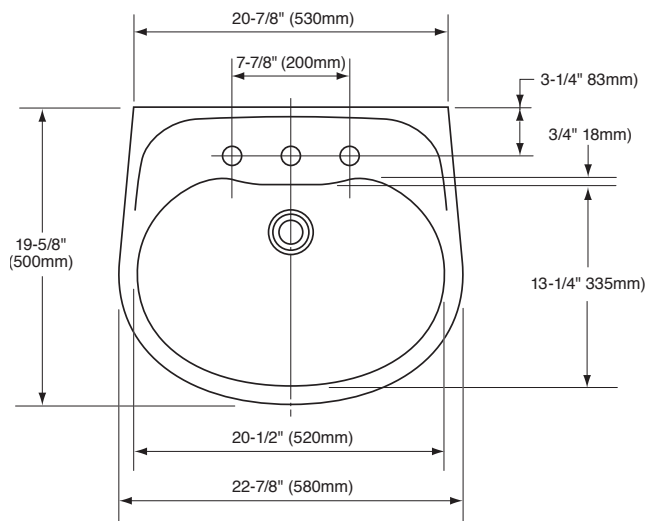
The lavatory shall be 22-7/8" by 19-5/8". The lavatory shall be made of vitreous china and have a rear overflow. The LHT241G lavatory shall have SanaGloss glazing. Lavatory shall be TOTO Model LHT241_____.

LHT241(G)

Supreme® Wall-Mount Lavatory

SPECIFICATIONS

- Waste 1-1/4" O.D.
 - Size 22-7/8" x 19-5/8"
 - Basin 20-1/2" x 13-1/4"
 - Warranty One Year Limited Warranty
 - Material Vitreous china lavatory and shroud
 - Shipping Weight LT241(G)/LT241.4(G)/LT241.8(G)
34 lbs.
- HT242
15 lbs.
- Shipping Dimensions LT241(G)/LT241.4(G)/LT241.8(G)
22-7/8" L x 20-1/8" W x
8-1/2" H
- HT242
11-3/4" L x 10-1/4" W x
14-1/8" H



*Suggested Dimensions

TOTO®

These dimensions and specifications are subject to change without notice