

FEATURES

- Concealed supply connection for seamless installation
- ewater+™ mists the bowl with electrolyzed water, reducing the need for harsh cleaning chemicals
- Gentle aerated, warm water, dual action spray with oscillating and pulsating feature
- Adjustable water temperature and volume
- Instant water heating system for continuous warm water and energy savings
- Warm-air drying with five variable temperature settings
- Automatic air deodorizer
- New slim design seat, at just under 4 inches
- Convenient slim wireless remote, with illuminated touch pad
- Two user settings
- Auto open/close lid
- Docking Station, easy to install and clean
- Heated seat with temperature control
- Water Premist™ of bowl before each use
- Night light

MODELS

- SW584T20 - Elongated front

COLORS/FINISHES

- Standard
#01 Cotton

PRODUCT SPECIFICATION

Seat shall be model # SW584T20#01. Seat shall have gentle aerated, warm water, dual action spray with cycling movement and massage feature. Seat shall have adjustable water temperature and volume. Seat shall have warm air drying with five variable temperature settings. Seat shall have automatic air deodorizer. Seat shall include wireless remote control. Seat shall be solid plastic with closed front seat and cover. Seat shall include power cord, water supply hoses and cover - THU9863. Seat shall have auto open/close lid with eWater+. Seat shall have night light.



WASHLET®+

For more information on ewater+ please go to www.totousa.com/Washlet/NewS300eS350e.aspx

CODES/STANDARDS

- Meets and exceeds ASME A112.4.2, ASME A112.18.1/CSA B125.1, UL 1431, CSA C22.2 #68
- Certifications: IAPMO(cUPC), State of Massachusetts, City of Los Angeles and others
- Code Compliance: UPC, IPC, NSPC, NPC Canada, and others



SW584T20

WASHLET®+ S350e

SPECIFICATIONS

- Power Rating: 120V AC, 60Hz, 835W
- Power Cord: Maximum length: 3.94 ft/120 cm, 3 prong grounded plug
- Water Feature: Adjustable Water Flow Rate:
 - Front washing - 10.2 - 14.1 oz/min
 - Wide Front - from 11.5 - 14.1 oz/min
 - Rear washing 9.0 - 14.1 oz/min
 - Soft Rear - from 10.2 - 14.1 oz/min
- Washing Spray Temp: Minimum: 86°F/30°C
Maximum: 104°F/40°C
- Safety Device: Thermal fuse.
- Drying Feature: Air temperature:
 - High: about 140°F/60°C
 - Low: about 95°F/35°C
- Dryer Air Volume: 10.24ft³/min
- Seat Warming Feature: Surface Temperature:
 - Minimum: 82°F/28°C
 - Maximum: 97°F/36°C
- Safety Device: Thermal fuse
- Water Supply Pressure: Minimum: 7.25 psi
Maximum: 108.75 psi
- Ambient Temperature: Range: 33°F/1°C to 104°F/40°C
- Warranty: One Year Limited Warranty
- Shipping weight: 13.5lbs.
- Shipping dimensions: 23" x 19-1/4" x 5-1/2"

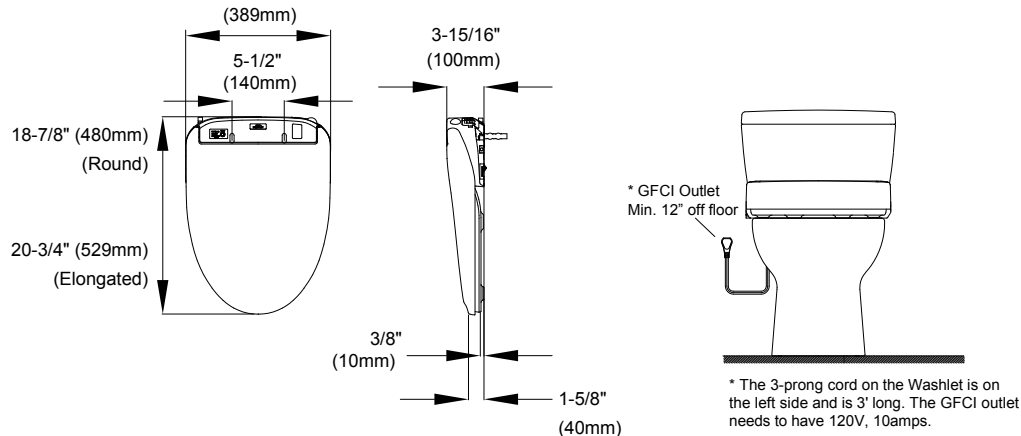
INSTALLATION NOTES

- For use with potable water only. Do not use with recycled water.
- WASHLET+ S350e is designed to fit TOTO WASHLET+ toilet bowl models only!
- Warning: Rated power consumption 835W

It is highly recommended to use a surge protector to prevent damage in the event of a power surge.

COMPATIBLE WITH WASHLET+ TOILETS

TOILETS	MODEL NUMBER	KIT NUMBER
ULTRAMAX II 1G	CST604CUFGT20#01	MW604584CUFG#01
ULTRAMAX II	CST604CEFGT20#01	MW604584CEFG#01
CARLYLE II 1G	CST614CUFGT20#01	MW614584CUFG#01
CARLYLE II	CST614CEFGT20#01	MW614584CEFG#01
SUPREME II	CST634CEFGT20#01	MW634584CEFG#01
CAROLINA II	CST644CEFGT20#01	MW644584CEFG#01
DRAKE II 1G Tank: ST453U	C454CUFGT20#01	MW454584CUFG#01
DRAKE II Tank: ST454E	C454CUFGT20#01	MW454584CEFG#01
VESPIN II 1G Tank: ST453U	CT474CUFGT20#01	MW474584CUFG#01
VESPIN II Tank: ST454E	CT474CUFGT20#01	MW474584CEFG#01



TOTO

These dimensions and specifications are subject to change without notice